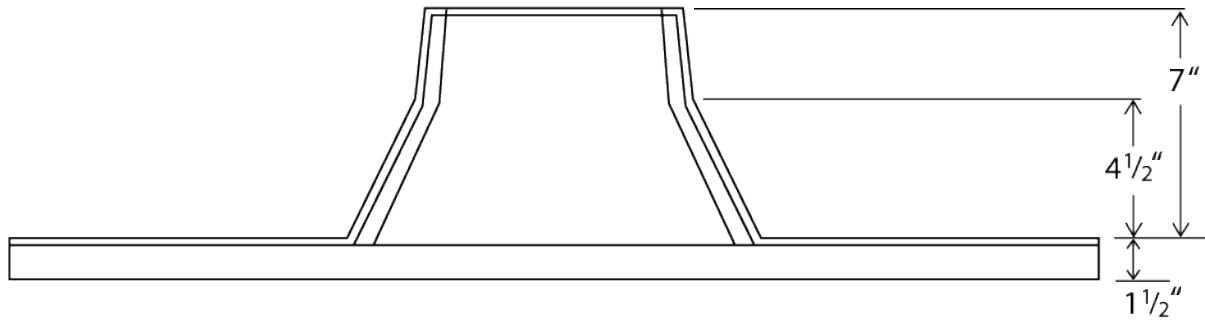
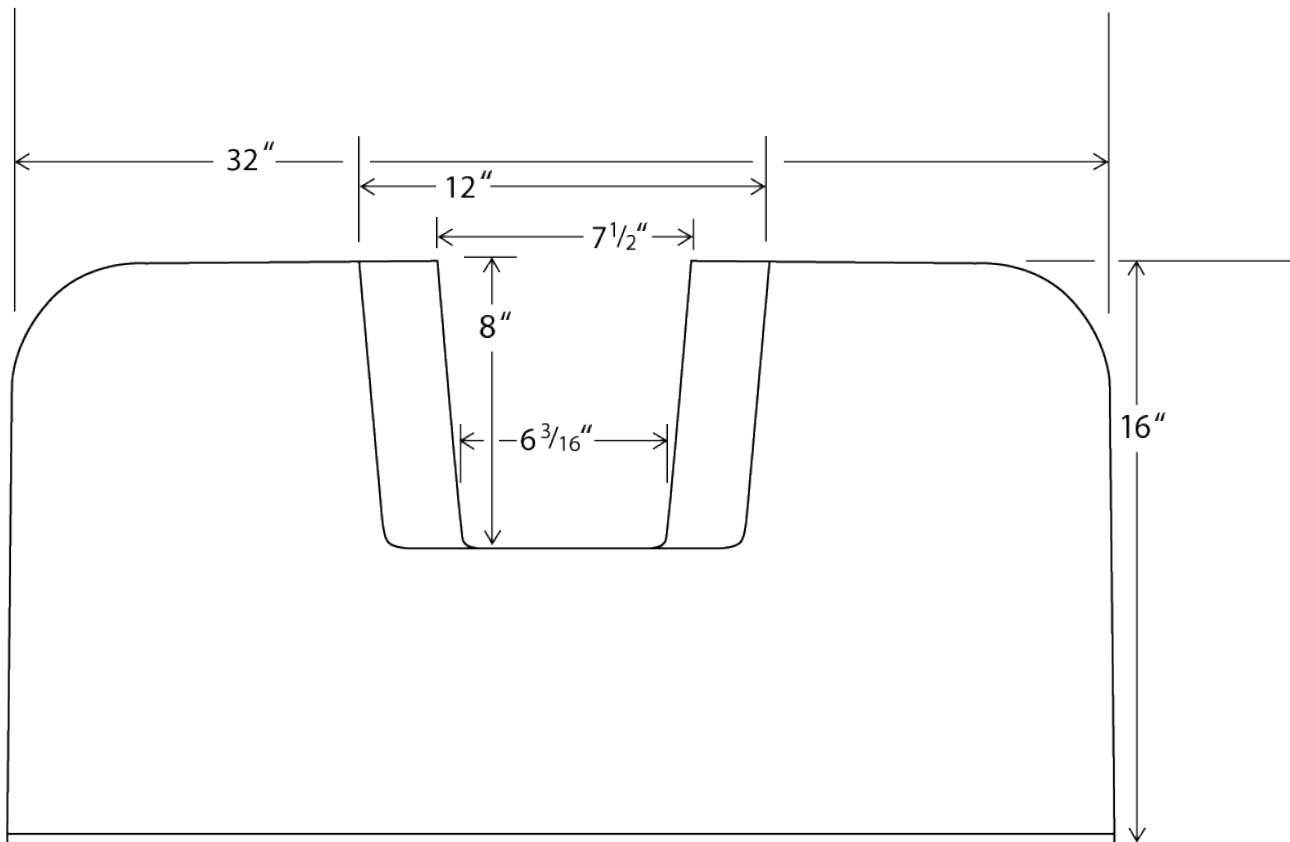


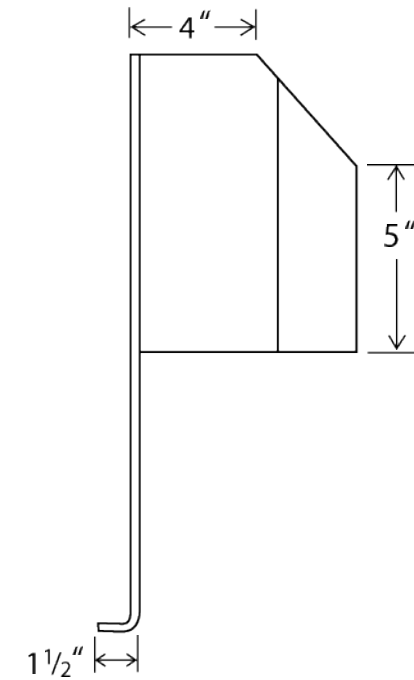
# Face Views



# Plan View



# Front View



# Side View

This print discloses subject matter in which StormSlide has proprietary rights. The receipt or possession of this print does not confer, transfer or license the use of the design or technical information shown herein. Reproduction of this print or any information contained herein, or manufacture of any article herefrom, for the disclosure to others is forbidden, except by specific written permission from StormSlide.

Drawn by: CG  
 Date: 10/27/04  
 Appd by: RC  
 Date: 10/27/04

Material:  
 High Density Polyethylene  
 Project Title:  
 StormSlide Face  
 Sheet 1 of 1



www.stormslide.com

Dwg No. 101